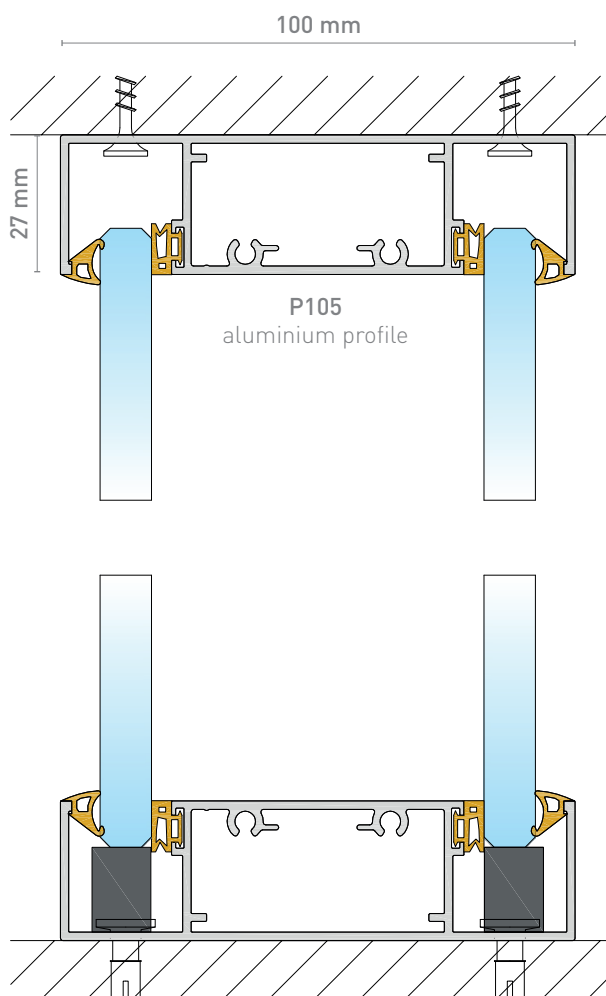


MICRA II SYSTEM

FRAMELESS PARTITION
DOUBLE GLAZED

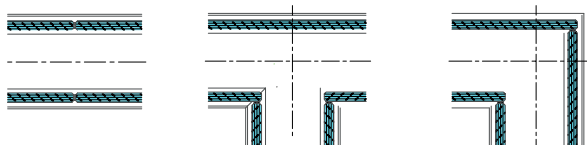
The MICRA II double-glazed system meets the **highest acoustic demands**, while maintaining a visually airy and open interior.



CONNECTION AND FINISHING:

Connection

Double-sided 3M adhesive tape or plastic profiles



TECHNICAL SPECIFICATIONS

BASIC INFORMATION:

Use:	Non-bearing interior partition walls
Module connection:	Double-sided adhesive tape or plastic profiles
Ceiling connection:	to the existing structure of the ceiling or suspended ceiling
Structure:	glass and aluminium light and stable
Accessories:	blinds / digital blinds

AIRBORNE SOUND INSULATION R_w :

Glass partition:	up to 45 dB
Door leaf:	All-glass 32 dB Wooden 27, 32, 35, 37 dB Aluminium 27, 32, 37 dB GlassDesign 27, 32, 37 dB

STANDARD DIMENSIONS OF THE GLAZED MODULE:

Thickness:	100 mm
Glass thickness:	10 mm
Width:	1,000 mm
Height:	3,000 mm (max. 3,500 mm)

STANDARD DOOR DIMENSIONS:

Clearance (passage):	800 × 2,100 mm
Door frame P05:	940 × 2,155 mm
Door leaf in P05:	872 × 2,091 mm
Door frame P08:	950 × 2,155 mm
Door leaf in P08:	872 × 2,091 mm
Max. door frame height:	3,000 mm

DOOR:

Door leaf types:	Aluminium GDD All-glass Wood
Door frame types:	wooden, aluminium
Standard hinges:	Just 3D, Just 3D Glass, hidden 3D

ANCHORING:

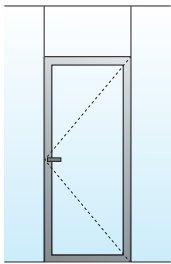
Concrete floor:	dowel pins 6 × 35
Double/wooden floor:	TN 3.5 × 35, FN 4.2 × 45
Lining from SDK:	FN 4.2 × 45, Turbo dowel
Concrete/masonry lining:	dowel pins 6 × 35
Ceiling full SDK/cassette:	TN 3.5 × 35, FN 4.2 × 45
Concrete/ceramic ceiling:	dowel pins 6 × 35

“A transparent and well-lit environment,
but in complete privacy.”

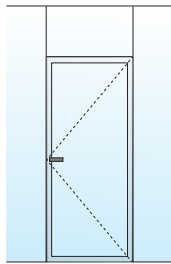
Orraine J. Williams | Head of R&D LIKO-S



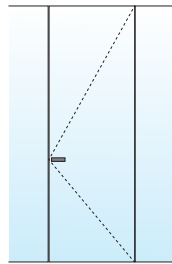
DOOR LEAF TYPES



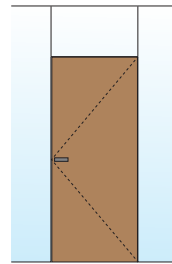
Aluminium



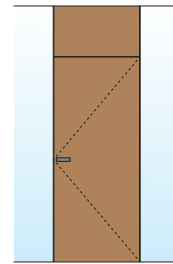
GlassDesign



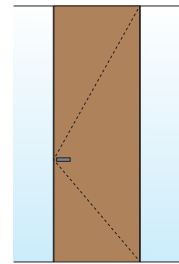
All-glass
full height



Wooden

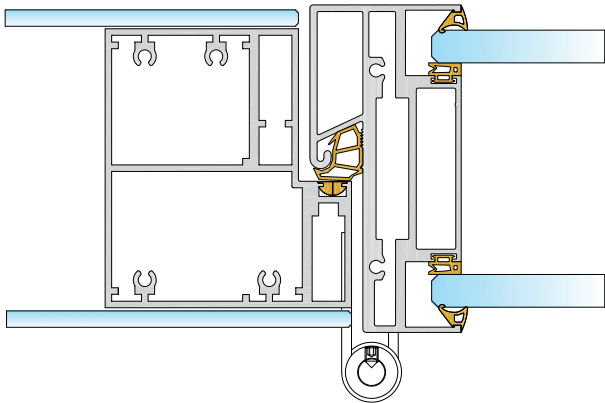


Wooden
with an upper panel

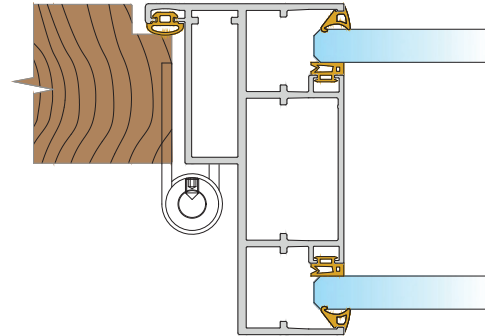


Wooden
full height

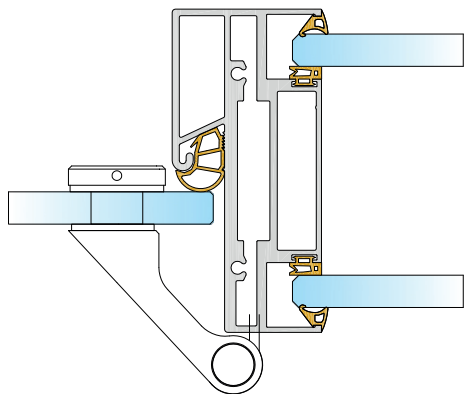
DOOR FRAME DETAILS



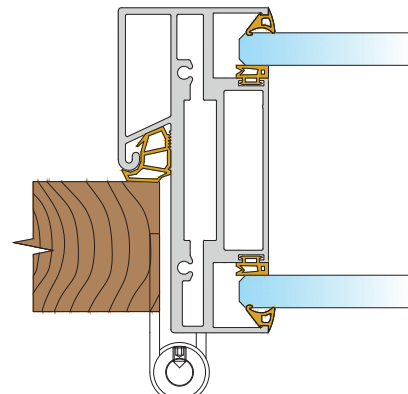
GlassDesign | door frame P05 | Just 3D hinge | up to 37 dB



Wooden | door frame P08 | Just 3D | up to 37 dB



All-glass | door frame P05 | LIKO-S 3D hinge | up to 32 dB



Wooden | door frame P05 | Just 3D | up to 37 dB



Headquarters:

LIKO-S, a.s.
U Splavu 1419
684 01 Slavkov u Brna
Czech Republic

+420 5 44 22 11 11 | info@liko-s.com

www.liko-s.com

Become one of our fans and be part of the story...



FACEBOOK



YOUTUBE



LINKEDIN